

Cable Support Kit

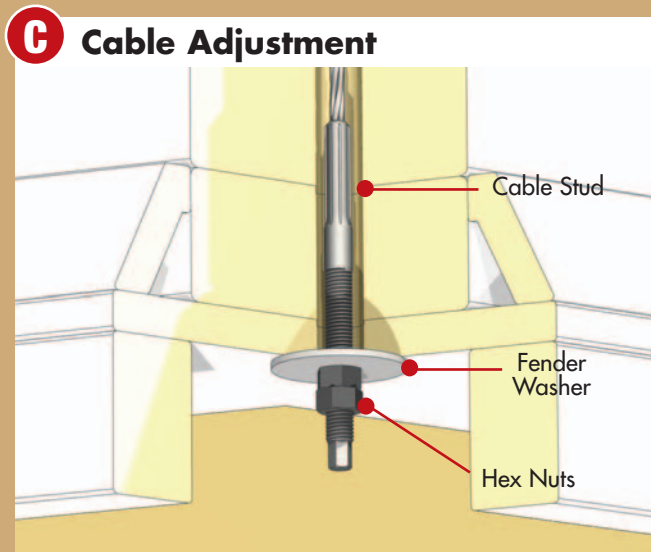
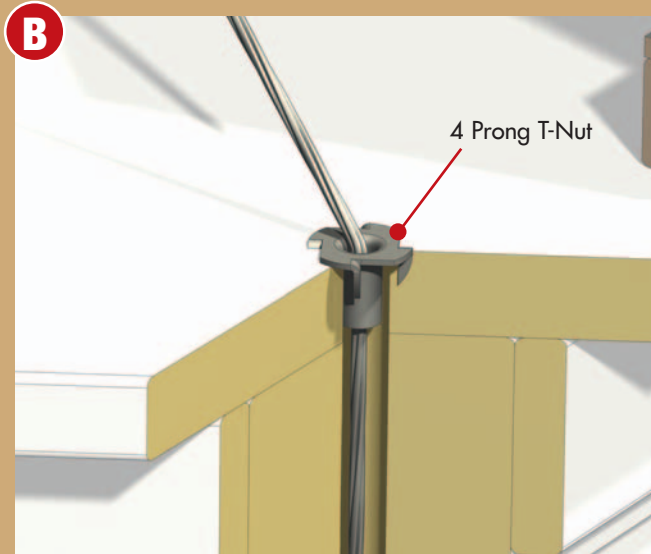
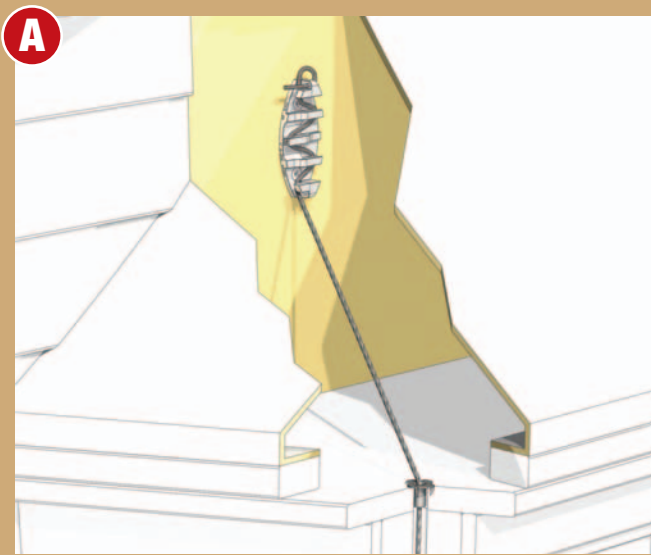
Installation Instructions

Lo-Profile Cleat



1. Before positioning window into rough opening, install T-Nuts into window headboard. **B**
2. Install the cables down the mullions with Fender Washers and Heavy Hex Jam Nuts. Thread nuts on stud 1/2 inch. **A C**
3. Place window into rough opening, using blocks and jacks at the bottom to hold and level window.
4. Select the mounting locations for the Lo-Profile Cleats and install with supplied Mounting Screws and Insert Bit. **A E**
5. With window level, pull the cables up and lace through the Lo-Profile Cleats. **A F**
6. After cables are secure and with blocks and jacks still in place, adjust cable tension by turning Jam Nuts at bottom of window. **H**

Note: Double-check that window is level and square before securing it to rough opening.



D Cable Support Kit

No.	Part	Qty.
1	#3 Insert Bit	1
2	Deep T-Nut	2
3	Fender Washer	2
4	Heavy Hex Jam Nut	4
5	Cable Assembly	2
6	Lo-Profile Cleat	2
7	Mounting Screw	4

Optional Hardware	
Plastic Hole Plug	2
Std. 1/4-28 Hex Nut	2
1/4" Split Lock Washer	2
Plastic Thread Cap	2

10-year warranty

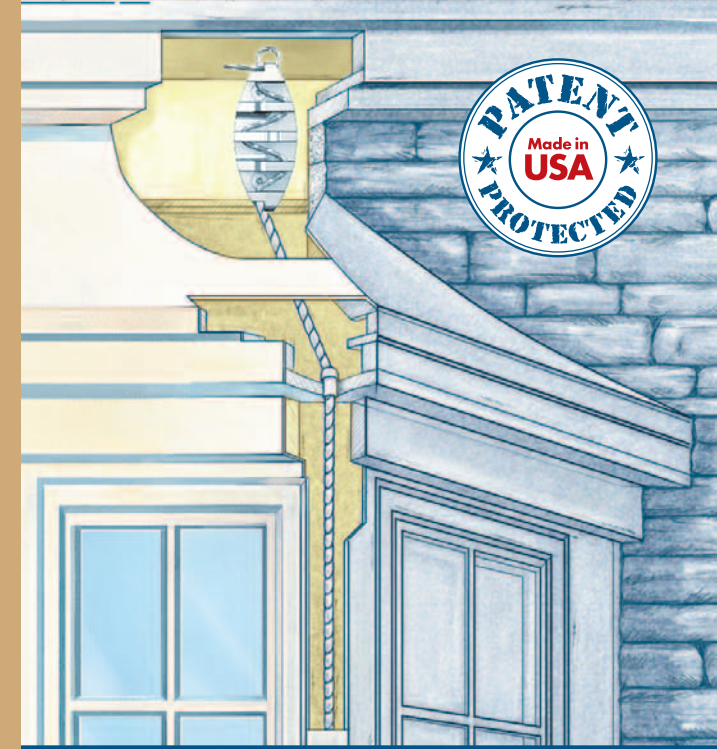
E Mounting Locations

- Lo-Profile Cleats must mount to a solid frame structure of building. Add cross braces between rafters for soffit installations.
- Cable angle range is 25° to 90°.
- 12 inch minimum mounting height.
- To distribute weight equally, both cleats must be installed in matching locations.

F Lacing Instructions

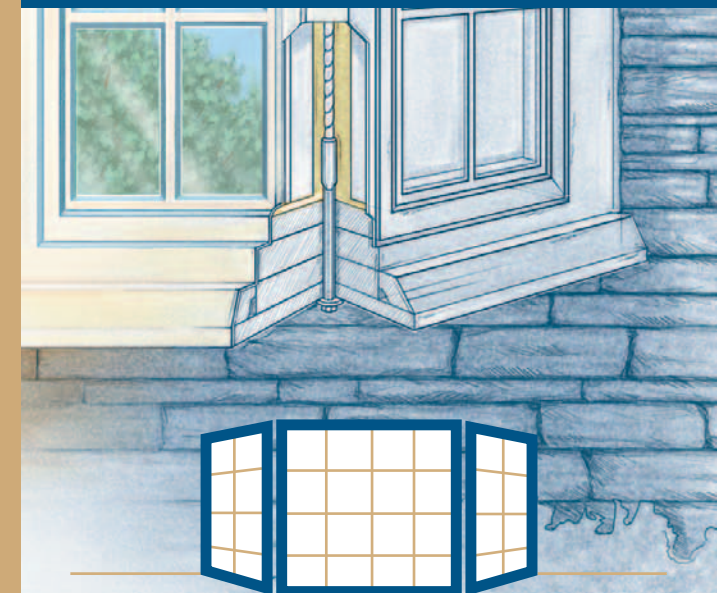
- Pull the cable up tight from the window.
- Holding the cable secure, lace through the cleat from the bottom up and around the cleat's fingers.
- Run the cable around the top lug and through cross hole at upper end, pulling tight to lock cable secure.

Patented



Locking in **SUPERIOR** support

CABLE SUPPORT KIT
INSTALLATION
 instructions
 LO-PROFILE



WINDOW **SUPPORT** SYSTEMS

7805 Telegraph Road, Bloomington, MN 55438

local	952 828 9600	web	www.winss.com
t-free	888 527 9600	email	info@winss.com
fax	952 828 9700	© Window Support Systems, Inc.	