

Cable Adjustment Arm Kit

Installation Instructions

Straight Line Clamp

1. Before positioning window into rough opening, install the Eye Brackets, Split Lock Washers and Nuts on threaded rods extending from top of window.

Note: The open eye must face the back of the window.

J K

2. For installations with ample overhead clearance, set the window in place using blocks and jacks at the bottom to hold and level.
3. For installations with Limited Clearance, see the "Blue" instructions.
4. Install Cable Adjustment Arms on cables with 1/4-inch Lock Washers and Cable Adjusting Nuts. Turn nuts in until threads show. **J L**

Before placing window in rough opening, determine where the exact locations of the Eye Brackets will be after window is installed. Mark a line on headboard where exterior wall will meet the window when installed. Measure the distance from this line to the center of each threaded window rod. **P**

5. Select the mounting locations for the Straight Line Clamps. **J N R**

6. Holding clamps in place, drive the mounting screws halfway in, making sure the screws are straight. This will allow free operation of the clamps during cable installation. (#3 insert bit provided.) **N**

Holding a tape measure out and level from the top outside edges of rough opening, adjust the cables through the clamps, so the extending edges of the Cable Adjustment Arms will meet the measured locations. Secure the Straight Line Clamps. **P Q R O**

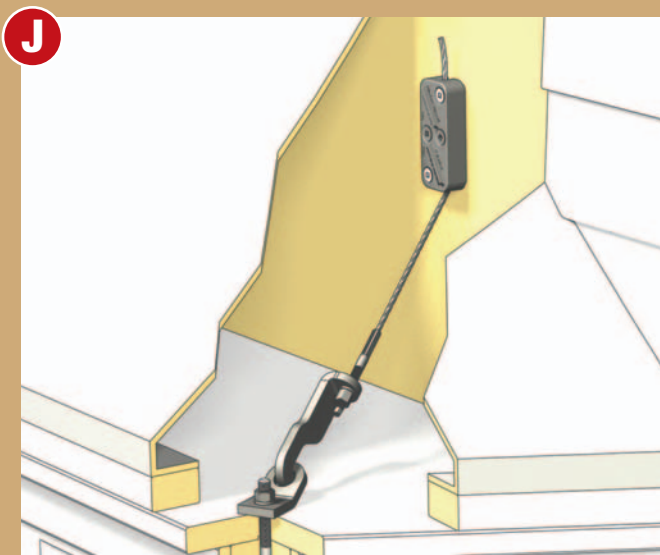
Temporarily attach Cable Adjustment Arms to locations that can be reached after window is installed.

7. After window is in place and level, hook the Cable Adjustment Arms to the Eye Brackets and tightly pull the cables through the Straight Line Clamps. **J O**

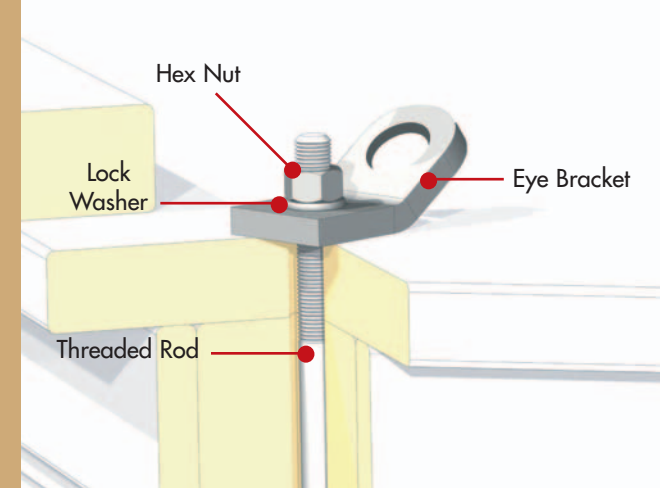
8. Setting 18-volt drill to medium torque (12 to 14) while holding the cables tight through the clamps, evenly torque the four screws on each clamp. Then, set the drill to a higher torque (15 to 17) and torque all screws in sequence. **O**

9. After cables are secure, adjust cable tension by turning the small hex nuts on Cable Adjustment Arms. **L**

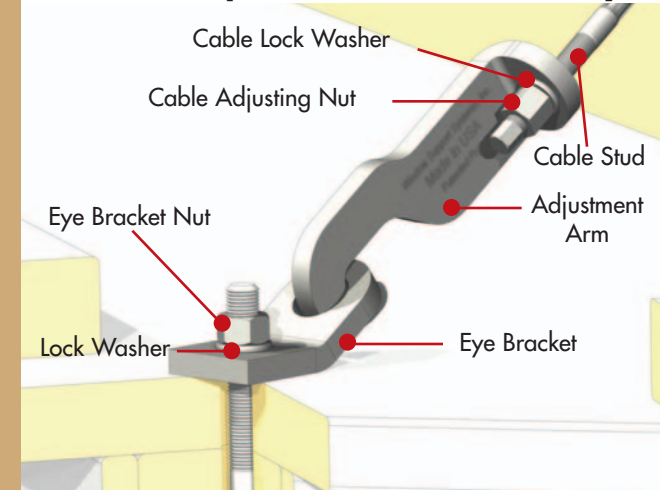
Note: Double check for level and square before securing window to rough opening.



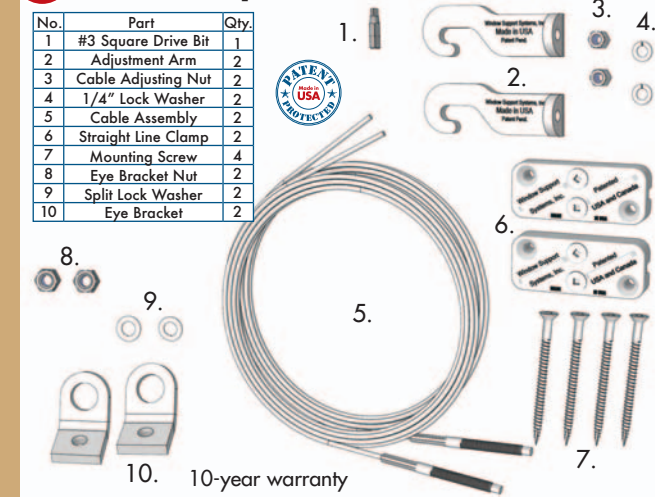
K Eye Bracket Assembly



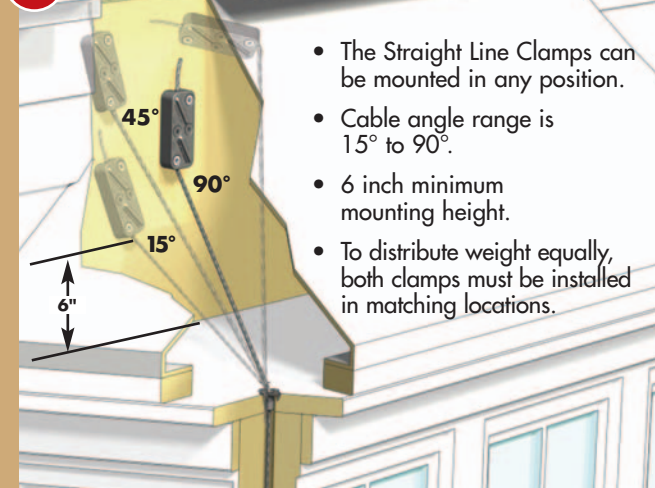
L Cable Adjustment Arm Assembly



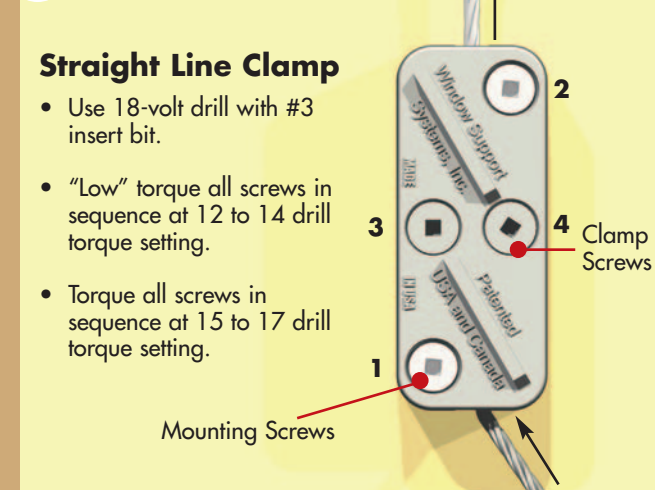
M Cable Adjustment Arm Kit



N Mounting Locations

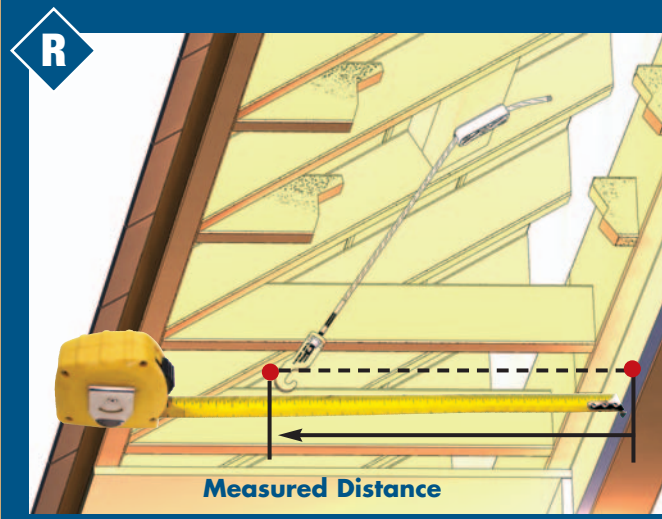
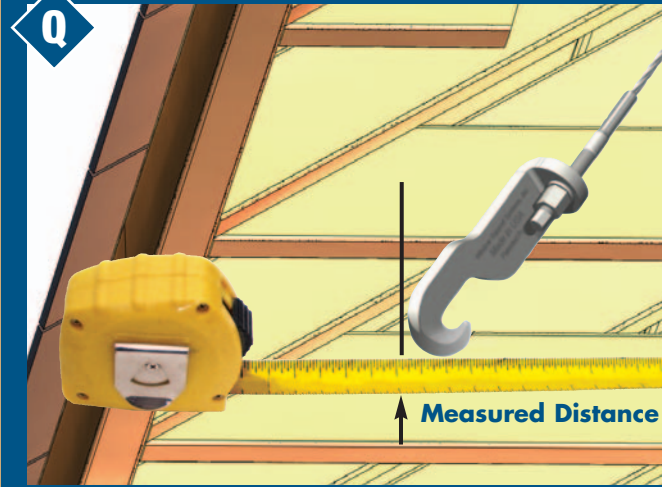
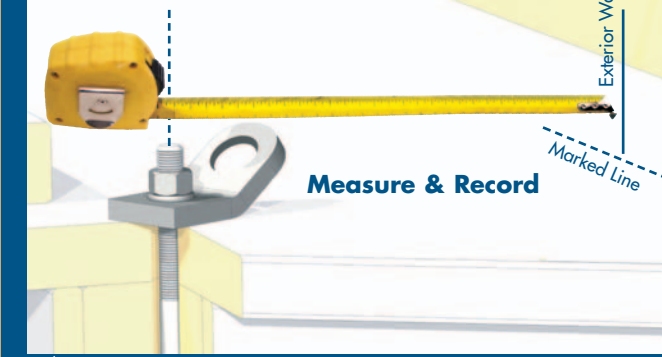


O Torque Sequence



LIMITED CLEARANCE

- P**
- Mark a line on headboard where exterior wall will meet window when installed.
 - Measure and record distance from this line to the center of each threaded window rod.



- Ultimate Grip, Zero Slip
- Designed to Last
- Patented Components
- Tested for Quality
- Easy Installation
- Industry Standard Since 2002



7805 Telegraph Road, Bloomington, MN 55438

local	952 828 9600	web	www.winss.com
t-free	888 527 9600	email	info@winss.com
fax	952 828 9700	© Window Support Systems, Inc.	